

WW22K6800AX

2.6 cu. ft., 24" Front-Load Washer

SAMSUNG



Signature Features

Steam Washing

- Powerful steam helps to remove stains, reducing the need for pre-treatment.

SuperSpeed®

- Over 30% faster wash cycle.*
- Wash a full load in only 40 minutes.
- Laundry gets done quicker without loss of performance.

VRT™ – Vibration Reduction Technology

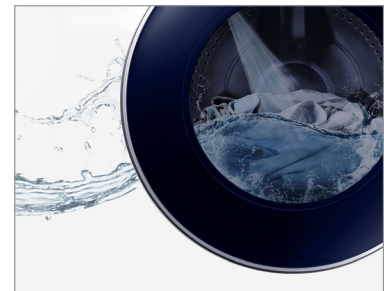
- Virtually silent washing.
- So quiet, you'll hardly know your washer is on.

Available Colours

- Inox
- White



Steam Wash



SuperSpeed®

Features

- Steam Wash
- SuperSpeed®
- VRT™ – Vibration Reduction Technology
- Smart Care
- Self Clean
- Diamond Drum Design
- Digital Inverter Motor
- 1400 RPM Maximum Spin Speed
- Internal Water Heater
- 12 Preset Wash Cycles
- 8 Options
- Garment+

Convenience

- Child Lock
- Door Lock
- Dispenser Trays: Main Wash, Softener, Bleach

*Normal one-hour wash can now be completed in as little as up to 40 minutes on the WW22K6800.



ENERGY STAR®-rated:

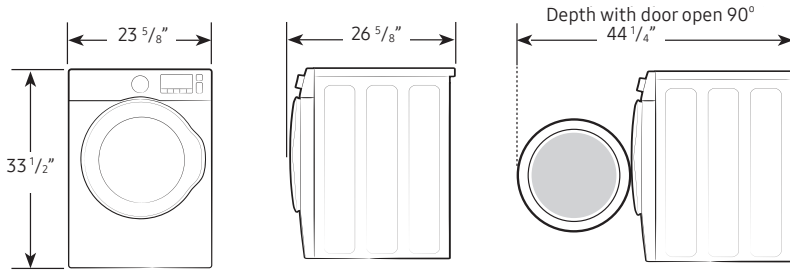
IMEF = 2.25 / IWF = 3.80 / 90 kWh/yr

WW22K6800AX

SAMSUNG

2.6 cu. ft., 24" Front-Load Washer

Dimensions

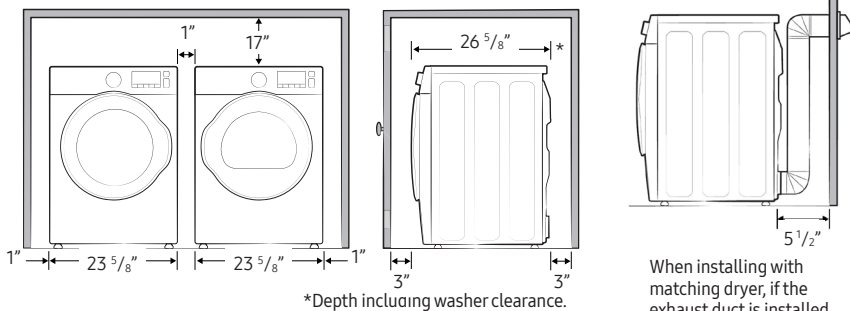


Installation Specifications

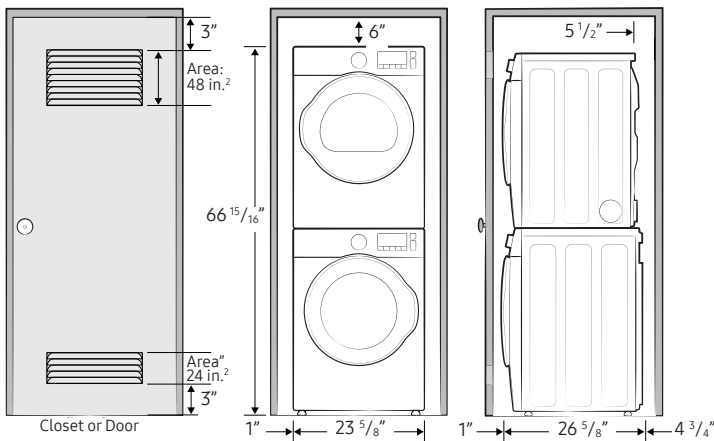
If the washer and dryer are installed together or the dryer alone, the closet front must have two unobstructed air openings for a combined minimum total area of 72 in.² (see stacked build below). Your washer alone does not require a specific air opening.

1. Alcove or closet installation

MINIMUM CLEARANCES FOR CLOSET AND ALCOVE INSTALLATIONS:



2. With stacked washer and dryer



2.6 cu. ft. Capacity IEC

12 Preset Dry Cycles:

- Normal, Heavy Duty, Permanent Press, Sanitize, Allergen, Self Clean, Deep Steam, Active Wear, Delicates, Wool, Quick Wash, Rinse and Spin

8 Options:

- SuperSpeed, Delay End, My Cycle, Extra Rinse, Spin Only, Sound, Child Lock, Smart Care

5 Temperature Settings:

- Extra Hot, Hot, Warm, Cold, Tap Cold

5 Spin Settings:

- Extra High, High, Medium, Low, No Spin

5 Soil Settings:

- Heavy, Heavy Medium, Normal, Low Medium, Light

Dispenser Trays:

- Main Wash, Softener, Bleach (Manual)

Warranty

1 Year Parts and Labour

10 Year on Digital Inverter Motor (Parts)

Stacking Kit

Included with the compact dryer SK-DH

UPC Code: 887276151052

Product Dimensions & Weight (WxHxD)

Dimensions: 23 5/8" x 33 1/2" x 26 5/8"

Weight: 157 lbs. (71 Kg)

Shipping Dimensions & Weight (WxHxD)

Dimensions: 26 1/4" x 35" x 27 1/2"

Weight: 161 lbs. (73 Kg)

Electric Washer	Model #	UPC Code
Colour: Inox	WW22K6800AX	887276251394

Matching Dryer	Model #	UPC Code
Colour: Inox	DV22K6800EX	887276252414

Electric Washer	Model #	UPC Code
Colour: White	WW22K6800AW	887276126876

Matching Dryer	Model #	UPC Code
Colour: White	DV22K6800EW	887276124537